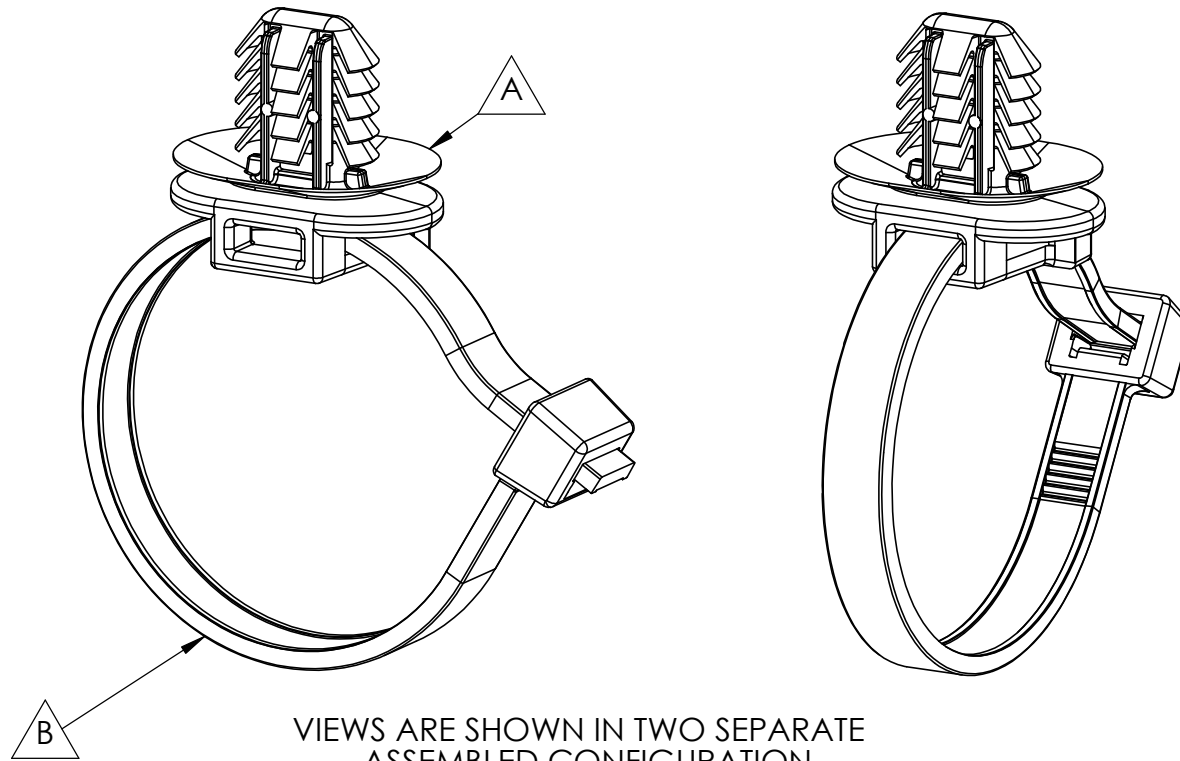


# AVERY DENNISON MARKETING SPECIFICATION

© 2021 AVERY DENNISON CORPORATION. ALL RIGHTS RESERVED

## HISTORY

REV.	DATE	DESCRIPTION
A	05.17.21	RELEASED



VIEWS ARE SHOWN IN TWO SEPARATE ASSEMBLED CONFIGURATION

**NOTES:**

1. SEE SPECIFIC OVAL FIR TREE CLIP AND CABLE TIE MARKETING SPECS FOR ADDITIONAL PART PERFORMANCE SPECIFICATIONS
2. OVAL FIR TREE CLIP MEETS ALL USCAR-44 SPECIFICATIONS
3. PARTS ARE NOT SOLD SEPARATELY AND ARE BOXED AS A KIT.
4. PARTS BOXED UNASSEMBLED.

ITEM#	SKU #	DESCRIPTION	MATERIAL	COLOR
A	20309-0	OVAL FIR TREE CLIP, STD CT, IMHS	PA66 IMHS	BLACK
B	12101-0	7.5" CABLE TIE, STD	PA66 IMHS	BLACK

<b>APPROVALS:</b>	ENG. APPR. <i>D. Gilbertson</i>	05.17.21
	Q.A. APPR. <i>R. Estano</i>	05.17.21



FASTENER DIVISION  
FITCHBURG, MA 01420 U.S.A.  
TEL. 1-800-225-5913  
FAX. 978-353-8157

<u>SPECIFIED TOLERANCES ARE:</u>		MATERIAL
.XX ± .03 INCHES	.X ± .7 mm	SEE TABLE
.XXX ± .010 INCHES	.XX ± .25 mm	COLOR
ANGULAR: ± 2°		SEE TABLE

DESCRIPTION	OVAL FIR TREE CLIP, 2 PIECE, STD CT, IMHS	
STOCK NO.	<b>20299-0</b>	REV. <b>A</b>

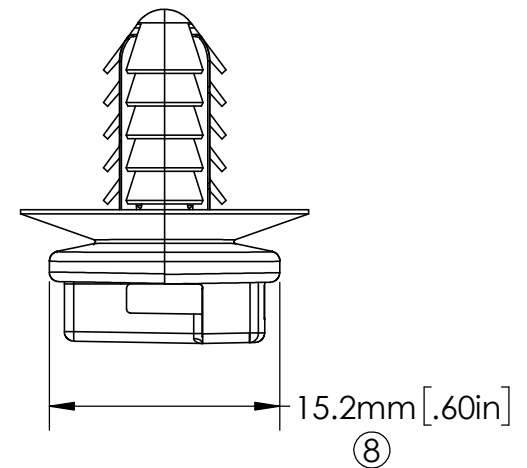
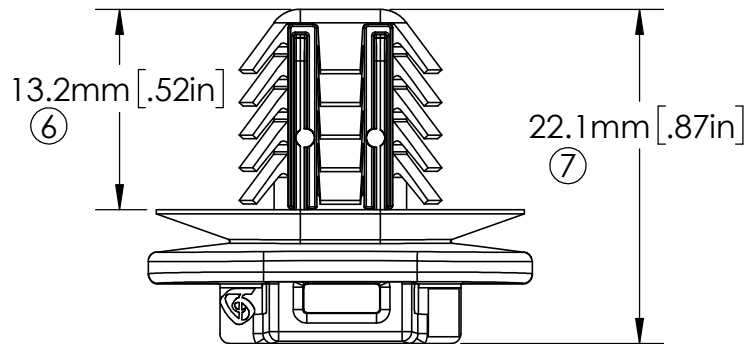
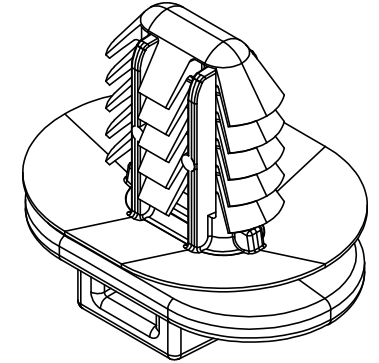
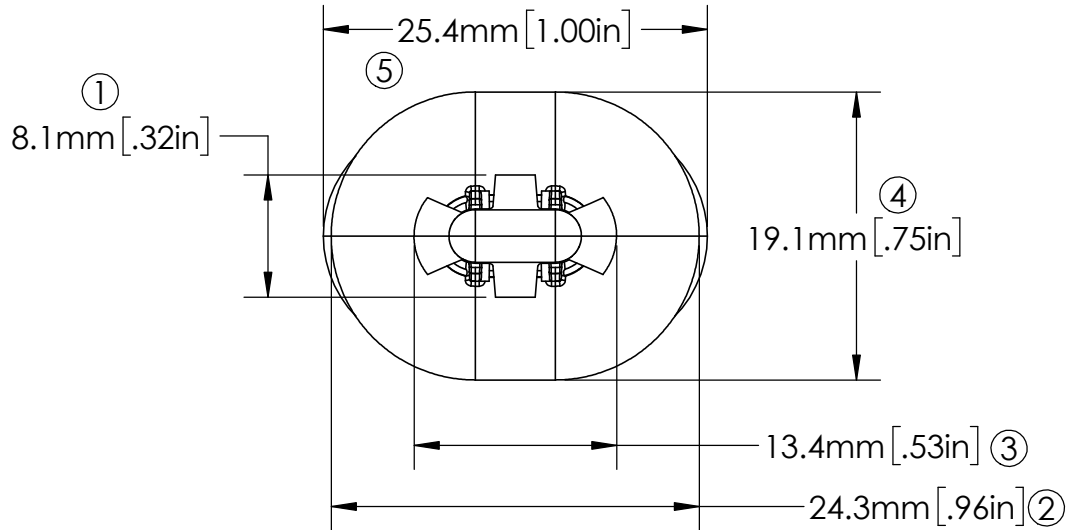
CLIP & CT ASSY WEIGHT:	3.3g
PACKAGING:	PACKED SEPARATELY IN ONE BOX 1000 CLIPS/BAG, 1/BOX 100 CT/BAG, 10/BOX

# AVERY DENNISON MARKETING SPECIFICATION

© 2021 AVERY DENNISON CORPORATION. ALL RIGHTS RESERVED

## HISTORY


REV	DATE	DESCRIPTION
A	05.17.21	RELEASED



NOTES:

1. SPECIAL CHARACTERISTICS ARE DENOTED BY A  $\Delta$
2. OVAL FIR TREE CLIP MEETS ALL USCAR-44 SPECIFICATIONS

9

$\Delta$ FLAMMABILITY:	HB RATING PER FMVSS302	<b>APPROVALS:</b>	ENG. APPR. <i>D. Gilbertson</i>	05.17.21		FASTENER DIVISION FITCHBURG, MA 01420 U.S.A. TEL. 1-800-225-5913 FAX. 978-353-8157	
MOUNTING:	6.2mm X 12.2mm ; 6.5mm X 12.5mm 6.5mm X 13.0mm; 7.0mm X 12.0mm THICKNESS OF 0.6mm TO 7.0mm		Q.A. APPR. <i>R. Estano</i>	05.17.21			
INSERTION:	10lbf / 44.5N MAX	<b>SPECIFIED TOLERANCES ARE:</b>	MATERIAL PA66, IMHS		DESCRIPTION OVAL FIR TREE CLIP, STD, IMHS		
EXTRACTION:	NOM. FORCES: >40lbf / 178N MIN						
OPERATING TEMP RANGE:	-40°F (-40°C) TO 257°F (125°C) CONTINUOUS AND 257°F (135°C) AT MAXIMUM EXPOSURE	.XX ± .03 INCHES .X ± .7 mm	COLOR BLACK		STOCK NO. <b>20309-0</b>		REV. <b>A</b>
OVAL FIR TREE CLIP WGT:	2.1g	.XXX ± .010 INCHES .XX ± .25 mm					
PACKAGING:	1000 CLIPS/BAG, 1/BOX	ANGULAR: ± 2°					

5

4

3

2

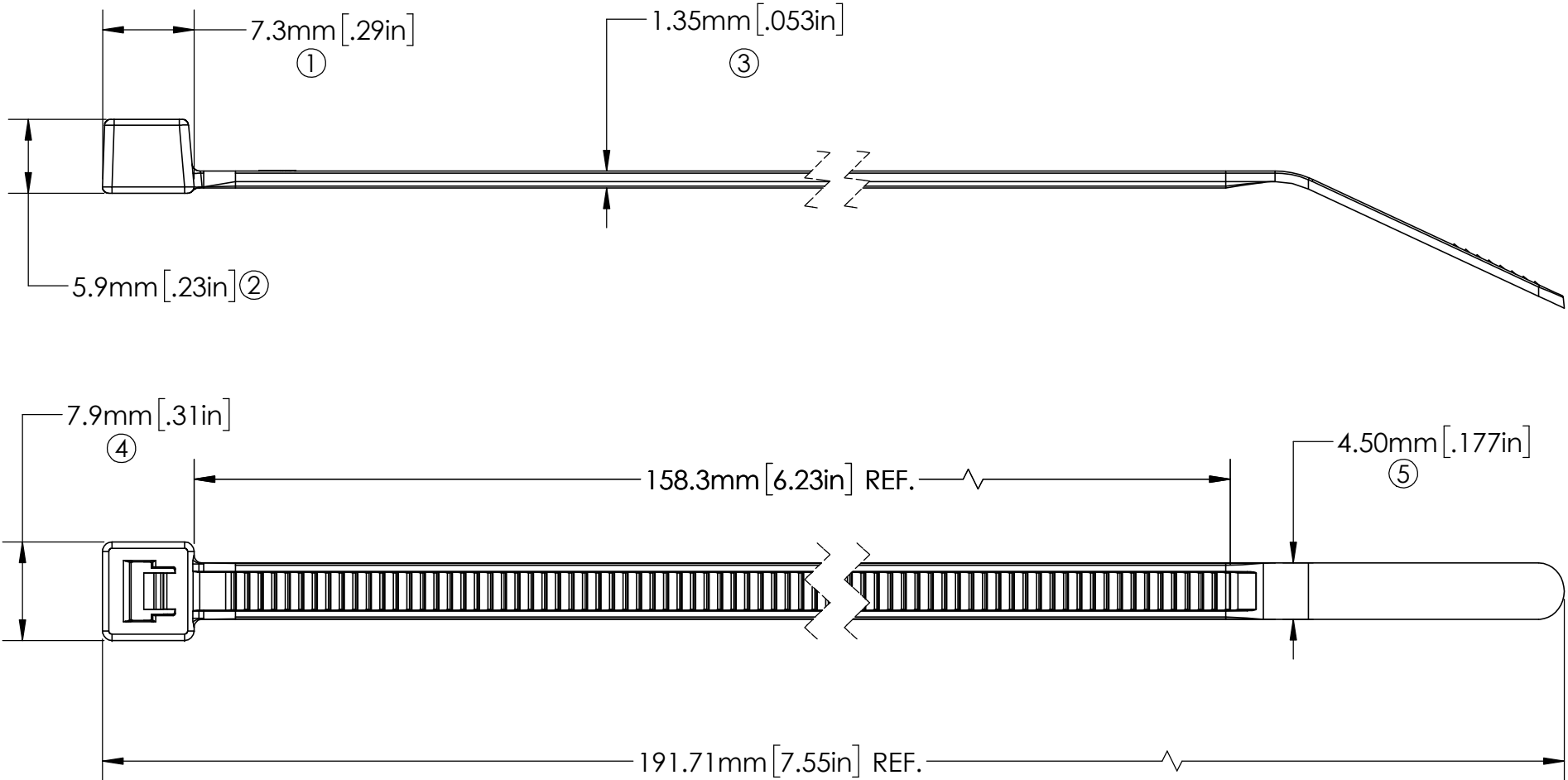
1

# AVERY DENNISON MARKETING SPECIFICATION

© 2021 AVERY DENNISON CORPORATION. ALL RIGHTS RESERVED

## HISTORY

REV	DATE	DESCRIPTION
A	05.17.21	RELEASED



NOTES:

1. SPECIAL CHARACTERISTICS ARE DENOTED BY A Δ

⑥ Δ	FLAMMABILITY:	HB RATED PER FMVSS302
⑦ Δ	TENSILE STRENGTH:	50 lbf / 220N MIN.
	OPERATING TEMP RANGE:	-40°F (-40°C) TO 239°F (115°C) CONTINUOUS AND 257°F (125°C) AT MAXIMUM EXPOSURE
	WEIGHT:	1.2g
	BUNDLE DIAMETER:	∅ 1.6mm TO ∅ 44.5mm
	TOOL:	12001 - HAND TOOL 12500 - PNEUMATIC TOOL
	TOOL TENSION SETTING:	6 - 8
	PACKAGING:	1000/BAG, 5000/CASE

APPROVALS:

ENG. APPR.	<i>D. Gilbertson</i>	05.17.21
Q.A. APPR.	<i>R. Estano</i>	05.17.21



FASTENER DIVISION  
FITCHBURG, MA 01420 U.S.A.  
TEL. 1-800-225-5913  
FAX. 978-353-8157

SPECIFIED TOLERANCES ARE:

.XX ± .03 INCHES	.X ± .7 mm
.XXX ± .010 INCHES	.XX ± .25 mm
ANGULAR: ± 2°	

MATERIAL	NYLON66, IMHS
COLOR	BLACK

DESCRIPTION	7.5" CABLE TIE, STD, IMHD	
STOCK NO.	12101-0	REV. A